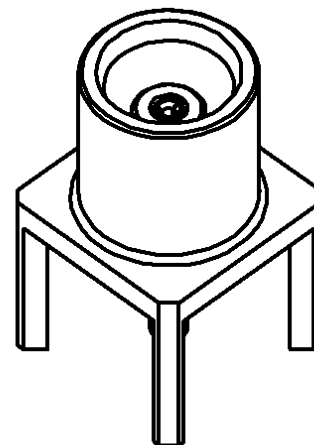
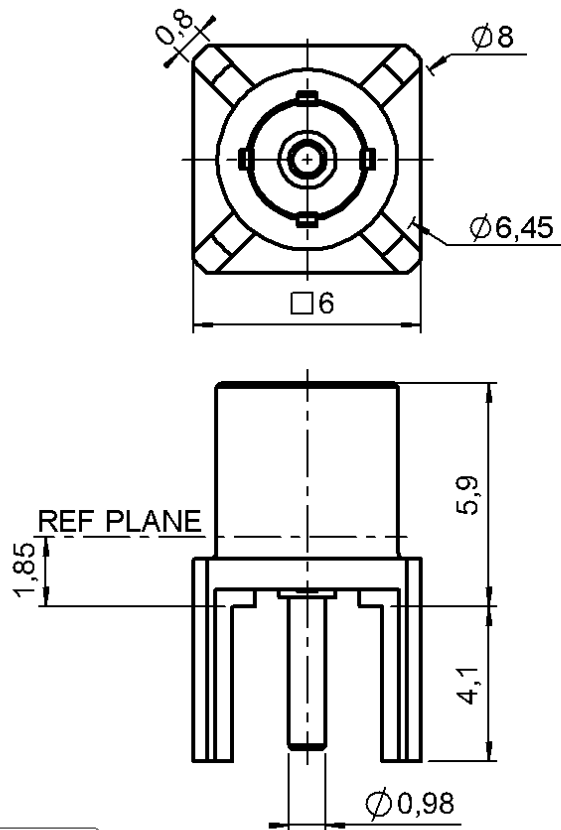


STRAIGHT JACK RECEPTACLE FOR PCB

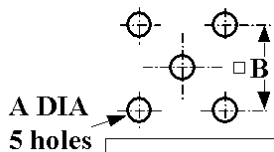
R113.426.590

SOLDER LEGS

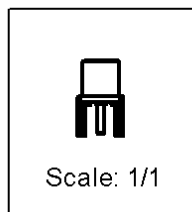
Series : MCX



PANEL CUT OUT



	mm	
	Maxi	mini
A	1.4	1.3
B	5.13	5.03



All dimensions are in mm.

COMPONENTS	MATERIALS	PLATING
BODY	BRASS	GOLD 0.2 OVER NICKEL 2 µm
CENTRE CONTACT	BERYLLIUM COPPER	GOLD2.5 A OVER NICKEL 2.5 OVER CUIVRE
OUTER CONTACT	-	3 µm
INSULATOR	PTFE	- µm
GASKET	-	- µm
OTHERS PARTS	-	-
-	-	-
-	-	-



STRAIGHT JACK RECEPTACLE FOR PCB

R113.426.590

SOLDER LEGS

Series : **MCX**

ELECTRICAL CHARACTERISTICS

Impedance		50 Ω
Frequency		0-6 GHz
VSWR	1.05* +	0.050 x F(GHz) Maxi
Insertion loss	0.03*	√F(GHz) dB Maxi
RF leakage	- (NA - F(GHz)) dB mini
Operating temperature		-55/+155 °C
Voltage rating		335 Veff Maxi
Dielectric withstanding voltage		1000 Veff mini
Insulation resistance		1000 MΩ mini

SPECIFICATION

ENVIRONMENTAL

Hermetic seal	NA Atm.cm3/s
Leakage – pressurised only	NA Mpa

OTHERS CHARACTERISTICS

Assembly instruction **NA**

Others :
* Coaxial Transmission Line Only

MECHANICAL CHARACTERISTICS

Centre contact retention		
Axial force – Mating end		10 N mini
Axial force – Opposite end		10 N mini
Torque		NA N.cm mini
Recommended torque		
Mating		NA N.cm
Panel nut		NA N.cm
Mating life		500 Cycles mini
Weight		0.000 g

